

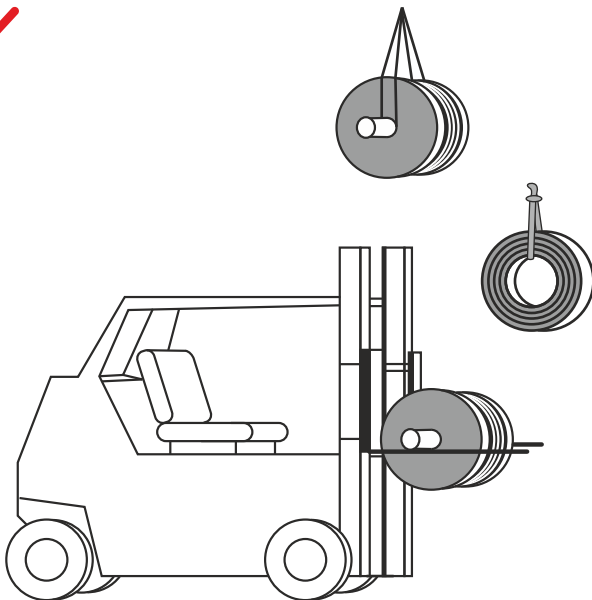


# ELEVATOR ROPE HANDLING

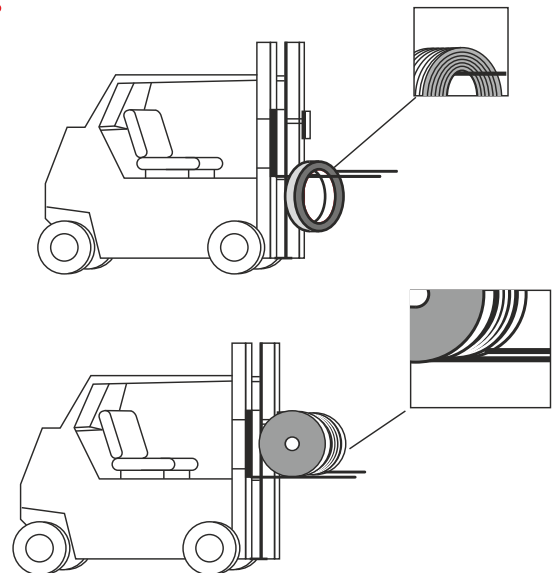


## 1. TRANSPORTATION

Use Only appropriate lifting devices when handling reels or coils

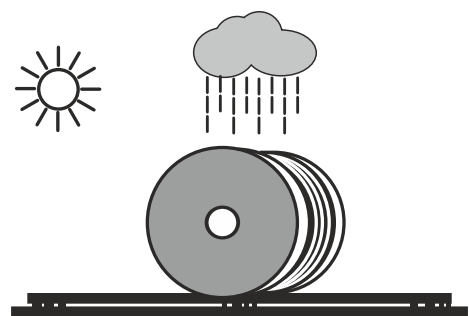
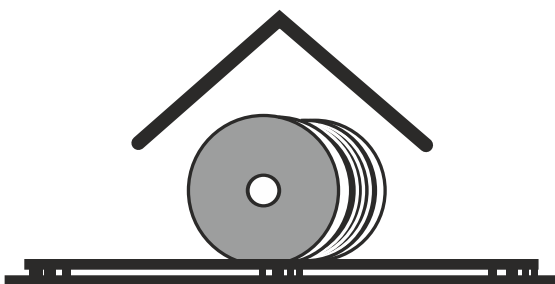


Avoid Direct contact with forks or other hard surfaces.



## 2. STORAGE

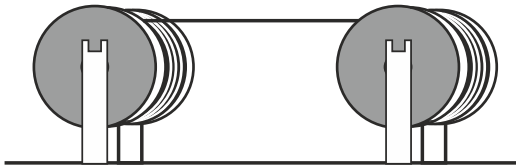
Store Ropes in a clean and dry place off the ground.  
Protect against moisture and any mechanical damage. Keep out of Direct sunlight.



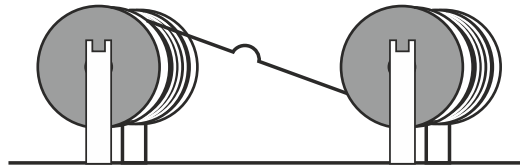


### 3. REWINDING

While rewinding in from big reel to small reel make certain that it bends in the same direction

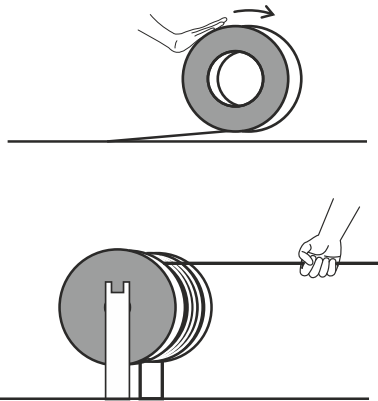


If this procedure is not strictly followed structural changes of the rope may occur.

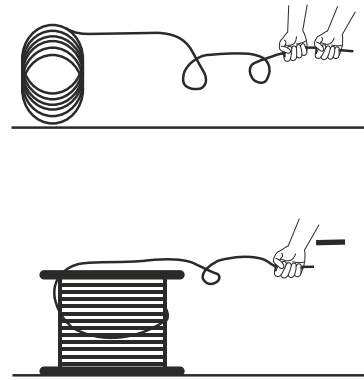


### 4. UNCOILING

The Coil/ Reel should be rolled along the ground like a hoop OR mount the reel on shaft supported by Jacks.



When uncoiling the rope, Be careful not to get any loop.



### 5. INSTALLATION

Do not drag ropes over sharp edge. (E.g. Guide Rail) This might damage the rope.

Green star from Bharat Bijlee is a new generation gearless machine for elevators- Powered by permanent magnets.



#### GREENSTAR

Available in capacity of  
6 passengers (408 kg)  
to 20 passengers (1360 kg)



#### GREENSTAR MINI

Suitable for Home  
Elevator with 300 kg  
load lifting capacity.



#### GREENSTAR MAX

Available in capacity of  
1.6 ton, 2.0 ton and 2.5 ton  
suitable for Goods lifts.

For sales Enquiries please contact [mtmsales@bharatbijlee.com](mailto:mtmsales@bharatbijlee.com) or 022-2763 7466

MOTOR | TRANSFORMER | PROJECTS | DRIVES AND AUTOMATION | MAGNET TECHNOLOGY MACHINES

[www.bharatbijlee.com](http://www.bharatbijlee.com)