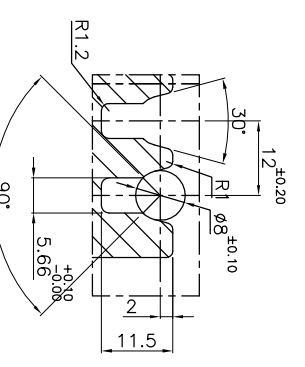


NOTE :- VIEWS SHOWN WITHOUT BODY COVER



GROOVE DETAILS

NOTE :- ALL DIMENSIONS ARE IN MM

NO. OFF	DESCRIPTION	ITEM NO.	CODE NO.	MATL.	DRG.NO.	PATTERN NO. OR SIZE	WT. kg	AMENDMENT						
								A	B	C	D			
DRN.	B.D.T.	25.07.16	R.R.											
CHD.	V.S.P.	25.07.16												
BHARAT BIJLEE LTD.				DRG. NO.	3ES-02-1566									
KALWA - THANE				ASSY.DRG.NO.										
								TITLE		ODD - GC 08		CODE NO.		
								FOR $\phi 320$ PCD PULLEY		8 x 4 GROOVES				
								NO. OF SHEET						