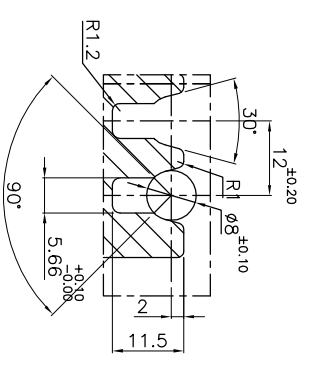


NOTE :- VIEWS SHOWN WITHOUT BODY COVER



GROOVE DETAILS

NOTE :- ALL DIMENSIONS ARE IN MM

NO. OFF	DESCRIPTION	ITEM NO.	CODE NO.	MATL.	DRG.NO.	PATTERN NO. OR SIZE	WT. kg	AMENDMENT			
								A	B	C	D
DRN.	B.D.T.	25.07.16	R.R.	ODD - GC 06				CODE NO.			
CHD.	V.S.P.	25.07.16		FOR Ø320 PCD PULLEY Ø8 x 4 GROOVES							
BHARAT BIJLEE LTD. KALWA - THANE								NO. OF SHEET			
DRG. NO. 3ES-02-1565 ASSY.DRG.NO.											